



FR 2460/3XJ, FR1220/3B and FR3230/3X Models Shown

## FEATURES

- Field repairable
- Ignition Protected
- Reliable ferro-resonant technology
- Full cutoff when full charge reached - no “trickle” charge
- No boiling or dehydration
- Three bank charging  
(4 bank available on request on 60 amp models)
- Two year parts **and** labor warranty
- Designed for quiet operation
- Drip proof cabinet
- Current limited and ignition protected
- Automatic reset DC Breaker
- AC Fuse Protection

Sentry FR battery chargers are designed for fully automatic, unattended operation. Once batteries reach full charge, Sentry turns itself off completely. There is no output trickle to overcharge or dehydrate batteries.

Standard Sentry chargers have negative ground with triple output allowing three separate banks of batteries to be charged simultaneously. A fourth output is available on some models.

Front-panel controls and indicators include an ammeter, manual/automatic selector switch, full-charge and “on” indicator lights.

All models are current limited and ignition protected.

The Sentry FR charger is in an elite class, and sets the standard for dependable battery chargers. It is completely field serviceable and comes with a 2-year parts and labor warranty.

If you are making long voyages, Sentry FR is the charger to have aboard. The manual/automatic switch allows you to bypass the voltage regulating circuit, and most repairs can be accomplished with just a few spare parts.

## TECHNICAL SPECIFICATIONS

Model	FR1220/3B	FR1240/3X	FR1240A/3X	FR1240/3XJ	FR1260/3X	FR1260A/3X	FR2425/3X	FR2425A/3X	FR2440/3X	FR2440/3XJ	FR2460/3XJ	FR3230/3X
Type of Battery	Lead	Lead Acid/Gel	Calcium	Lead Acid/Gel	Lead Acid/Gel	Calcium	Lead Acid/Gel	Calcium	Lead Acid/Gel	Lead Acid/Gel	Lead Acid/Gel	Lead Acid/Gel
DC Output Voltage	12V	12V	12V	12V	12V	12V	24V	24V	24 V	24 V	24 V	32 V
DC Output Current	20 A	40 A	40 A	40 A	60 A	60 A	25 A	25 A	40 A	40 A	60 A	30 A
Cut In/Cut Out	12.8/13.9	12.8/13.9	12.8/14.25	12.8/13.9	12.8/13.9	12.8/14.25	25.5/28.0	25.5/28.5	25.5/28.0	25.5/28.0	25.5/28.0	34.5/37.5
# Output Banks	3	3	3	3	***3	***3	3	3	3	3	***3	3
AC Input Voltage	115 VAC	*115/230 VAC	*115/230 VAC	*115/230 VAC	*115/230 VAC	*115/230 VAC	*115/230 VAC	*115/230 VAC	*115/230 VAC	*115/230 VAC	*115/230 VAC	*115/230 VAC
AC Input Current	4A	7/3.5 A	7/3.5 A	7/3.5 A	12/6 A	12/6 A	7/3.5 A	7/3.5 A	13/6.5 A	13/6.5 A	20/10 A	17/8.5 A
Input Frequency	60 Hz	60 Hz	60 Hz	**50/60 Hz	60 Hz	60 Hz	60 Hz	60 Hz	60 Hz	60 Hz	**50/60 Hz	**50/60 Hz
Height in/mm	14.50 / 368	14.50 / 368	14.50 / 368	14.50 / 368	16.25 / 413	16.25 / 413	14.50 / 368	14.50 / 368	16.25 / 413	16.25 / 413	16.25 / 413	16.25 / 413
Width in/mm	13.25 / 336	13.25 / 336	13.25 / 336	13.25 / 336	13.75 / 349	13.75 / 349	13.25 / 336	13.25 / 336	13.75 / 349	13.75 / 349	15.25 / 387	13.75 / 349
Depth in/mm	6.0 / 152	6.0 / 152	6.0 / 152	6.0 / 152	7.25 / 184	7.25 / 184	6.0 / 152	6.0 / 152	7.25 / 184	7.25 / 184	7.75 / 200	7.25 / 184
Weight lb/kg	24 / 11	28 / 12.7	28 / 12.7	28 / 12.7	38 / 17.3	38 / 17.3	29 / 13.2	30 / 13.6	39 / 17.7	39 / 17.7	60 / 27.3	45 / 20.5
DC Output Fuse	Yes	Yes	Yes	Yes	Yes	Yes	Yes	Yes	Yes	Yes	Yes	Yes
AC Input Fuse	****5A	****10A	****10A	****10A	****15A	****15A	****10A	****10A	****15A	****15A	****20A	****20A
CE Approved	Yes	Yes	Yes	Yes	Yes	Yes	Yes	Yes	Yes	Yes	Yes	Yes
Ignition Protected	Yes	Yes	Yes	Yes	Yes	Yes	Yes	Yes	Yes	Yes	Yes	Yes
Internal Fan	Yes	Yes	Yes	Yes	Yes	Yes	Yes	Yes	Yes	Yes	Yes	Yes
Current Limited	Yes	Yes	Yes	Yes	Yes	Yes	Yes	Yes	Yes	Yes	Yes	Yes
Battery Isolation	Yes	Yes	Yes	Yes	Yes	Yes	Yes	Yes	Yes	Yes	Yes	Yes
Charger Status Ind.	Ammeter	Ammeter	Ammeter	Ammeter	Ammeter	Ammeter	Ammeter	Ammeter	Ammeter	Ammeter	Ammeter	Ammeter
Full Charge Indicator	Yes	Yes	Yes	Yes	Yes	Yes	Yes	Yes	Yes	Yes	Yes	Yes
Charger On Indicator	Yes	Yes	Yes	Yes	Yes	Yes	Yes	Yes	Yes	Yes	Yes	Yes
Manual/Auto Switch	Yes	Yes	Yes	Yes	Yes	Yes	Yes	Yes	Yes	Yes	Yes	Yes
Field Repairable	Yes	Yes	Yes	Yes	Yes	Yes	Yes	Yes	Yes	Yes	Yes	Yes
Warr.-Parts & Labor	2	2	2	2	2	2	2	2	2	2	2	2

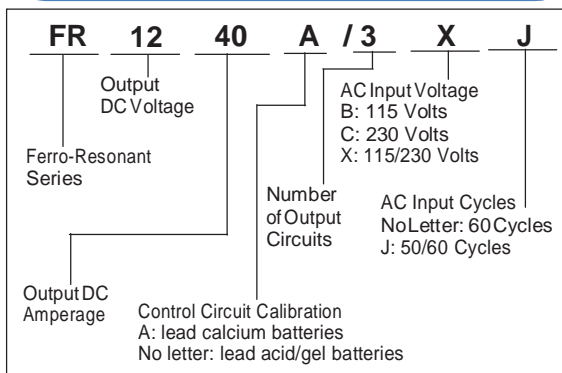
\*NOTE: voltage is changed with a rocker switch.

\*\*NOTE: frequency is changed with a slide switch.

\*\*\*NOTE: 4 outputs available on special order.

\*\*\*\*NOTE: AC fuses rated slow blow at 250VAC.

### INTERPRETING MODEL NUMBERS



Sold and Serviced by:

Automatic Ferro-Resonant Battery Charger  
 Linear Devices Corp.  
 11126 Air Park Road, Suite G  
 Ashland, VA 23005  
 Ph: 804-368-8428, Fax: 804-368-8438  
 Toll Free 1-888-532-8768  
 July 2016

