



FR 2460/3XJ, FR1220/3B and FR3230/3X Models Shown

FEATURES

- Chargers available in 12, 24 and 32vdc
- Full cutoff when full charge reached - no “trickle” charge
- No boiling or dehydration
- Ignition protected
- Three bank charging (4 bank available on request on 60 amp models)
- Quiet operation
- Current limiting protection
- Drip proof cabinet
- AC fuse protection
- Automatic reset DC Breaker
- Reliable ferro-resonant technology
- Field repairable
- Two year parts and labor warranty

The line of Sentry FR chargers is in an elite class, setting the standard for dependable battery chargers. Sentry chargers are designed to operate for decades in the harsh marine environment. They are completely field serviceable and come with a 2-year parts and labor warranty.

Sentry FR battery chargers are designed for fully automatic, unattended operation. Once batteries reach full charge, Sentry chargers turn off completely. There is no output trickle to overcharge or dehydrate batteries.

Standard Sentry chargers have negative ground with triple output, allowing three separate banks of batteries to be charged simultaneously. A fourth output is available on some models.

For long voyages, Sentry FR is the charger to have aboard. The manual/automatic switch allows you to bypass the voltage regulating circuit, and most repairs can be accomplished with just a few spare parts.

Front-panel controls and indicators include an ammeter, manual/automatic selector switch, full-charge and “on” indicator lights.

All models are current limited and ignition protected for engine room installations.

TECHNICAL SPECIFICATIONS

Model	FR1220/3B	FR1240/3X	FR1240M/3X	FR1240/3XJ	FR1260/3X	FR1260M/3X	FR2425/3X	FR2425M/3X	FR2440/3X	FR2440/3XJ	FR2460/3XJ	FR3230/3X
Type of Battery	Lead Acid/Gel	Lead Acid/Gel	AGM	Lead Acid/Gel	Lead Acid/Gel	AGM	Lead Acid/Gel	AGM	Lead Acid/Gel	Lead Acid/Gel	Lead Acid/Gel	Lead Acid/Gel
DC Output Voltage	12V	12V	12V	12V	12V	12V	24V	24V	24 V	24 V	24 V	32 V
DC Output Current	20 A	40 A	40 A	40 A	60 A	60 A	25 A	25 A	40 A	40 A	60 A	30 A
Cut In/Cut Out	12.8/13.	12.8/13.9	13.0/14.	12.8/13.	12.8/13.9	13.0/14.	25.5/28.0	26/28.5	25.5/28.0	25.5/28.	25.5/28.0	34.5/37.5
# Output Banks	3	3	3	3	***3	***3	3	3	3	3	***3	3
AC Input Voltage	115	*115/230	*115/230	*115/230	*115//230	*115/230	*115/230	*115/230	*115/230	*115/230	*115/230	*115/230
AC Input Current	4A	7/3.5 A	7/3.5	7/3.5 A	12/6 A	12/6 A	7/3.5 A	7/3.5 A	13/6.5 A	13/6.5 A	20/10 A	17/8.5 A
Input Frequency	60 Hz	60 Hz	60 Hz	**50/60	60 Hz	60 Hz	60 Hz	60 Hz	60 Hz	**50/60	**50/60 Hz	60 Hz
Height in/mm	14.50 /	14.50 /	14.50 /	14.50 /	16.25 /	16.25 /	14.50 /	14.50 /	16.25 /	16.25 /	16.25 /	16.25 /
Width in/mm	13.25 /	13.25 /	13.25 /	13.25 /	13.75 /	13.75 /	13.25 /	13.25 /	13.75 /	13.75 /	15.25 /	13.75 /
Depth in/mm	6.0 /	6.0 / 152	6.0 /	6.0 /	7.25 / 184	7.25 /	6.0 / 152	6.0 / 152	7.25 / 184	7.25 /	7.75 / 200	7.25 /
Weight lb/kg	24 / 11	28 / 12.7	28 /	28 /	38 / 17.3	38 / 17.3	29 / 13.2	30 / 13.6	39 / 17.7	39 /	60 / 27.3	45 / 20.5
DC Output Fuse	Yes	Yes	Yes	Yes	Yes	Yes	Yes	Yes	Yes	Yes	Yes	Yes
AC Input Fuse	****5A	****10A	****10	****10A	****15A	****15A	****10A	****10A	****15A	****15A	****20A	****20A
CE Approved	Yes	Yes	Yes	Yes	Yes	Yes	Yes	Yes	Yes	Yes	Yes	Yes
Ignition Protected	Yes	Yes	Yes	Yes	Yes	Yes	Yes	Yes	Yes	Yes	Yes	Yes
Internal Fan	Yes	Yes	Yes	Yes	Yes	Yes	Yes	Yes	Yes	Yes	Yes	Yes
Current Limited	Yes	Yes	Yes	Yes	Yes	Yes	Yes	Yes	Yes	Yes	Yes	Yes
Battery Isolation	Yes	Yes	Yes	Yes	Yes	Yes	Yes	Yes	Yes	Yes	Yes	Yes
Charger Status Ind.	Ammete	Ammeter	Ammet	Ammet	Ammeter	Ammete	Ammeter	Ammeter	Ammeter	Ammete	Ammeter	Ammeter
Full Charge Indicator	Yes	Yes	Yes	Yes	Yes	Yes	Yes	Yes	Yes	Yes	Yes	Yes
Charger On Indicator	Yes	Yes	Yes	Yes	Yes	Yes	Yes	Yes	Yes	Yes	Yes	Yes
Manual/Auto Switch	Yes	Yes	Yes	Yes	Yes	Yes	Yes	Yes	Yes	Yes	Yes	Yes
Field Repairable	Yes	Yes	Yes	Yes	Yes	Yes	Yes	Yes	Yes	Yes	Yes	Yes
Warr.-Parts & Labor	2	2	2	2	2	2	2	2	2	2	2	2

NOTE: contact Sentry for models to charge AGM batteries.

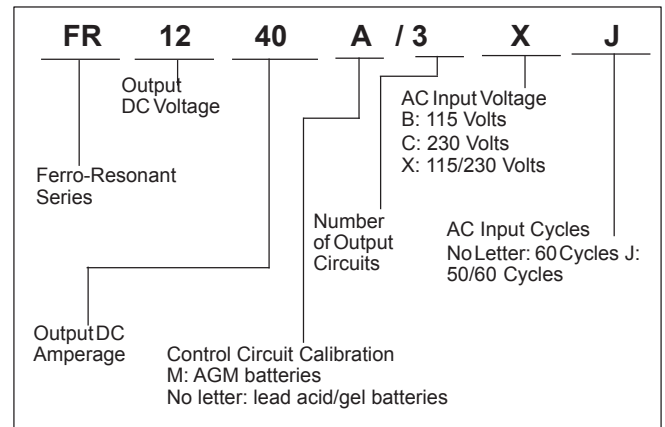
***NOTE:** voltage is changed with a rocker switch.

****NOTE:** frequency is changed with a slide switch.

*****NOTE:** 4 outputs available on special order.

******NOTE:** AC fuses rated slow blow at 250VAC.

INTERPRETING MODEL NUMBERS



Automatic Ferro-Resonant Battery Charger
 Linear Devices Corp.
 11126 Air Park Road, Suite G
 Ashland, VA 23005
 Ph: 804-368-8428, Fax: 804-368-8438
 Toll Free 1-888-532-8768
 Email: sales@sentrychargers.com
sentrychargers.com



SVE1270/3XJ Model Shown

FEATURES

- Selectable charging outputs for Open Lead-Acid, Sealed Lead-Acid, AGM, Gel, Lead Calcium, Spiralcell, Lithium-ion (LiFeS04) batteries and Winter Storage Mode
- Easy to read LED display showing charge modes and fault status
- Automatically switches to 115vac or 230vac and 50Hz or 60Hz power
- Three isolated bank charging outputs
- Lightweight and compact size
- Battery temperature sensor to prevent overcharging
- AC and DC fuse protection
- CAN BUS J1939 interface to connect to any monitoring system
- Conformal coated PC Board for corrosion protection
- Direct replacement for Sentry "SM" series chargers
- Two year parts warranty

The line of Sentry Voyager Elite marine battery chargers are heavy duty and extremely reliable. Each charger comes equipped with a CAN BUS J1939 interface which can be connected to any monitoring system. The circuit board is conformal coated for added protection from the harsh marine environment.

Sentry Voyager Elite battery chargers are designed with a rotary switch to select the correct charging curve for your batteries. The battery charge selections are Lead-Acid, AGM, Gel, Lead Calcium, Spiralcell, Lithium-ion (LiFeS04) and Winter Storage Mode. Each charger will charge three independent and isolated battery banks. A battery temperature sensor is included to prevent overcharging batteries in a high ambient temperature.

The Voyager Elite series charger is a direct replacement for the Sentry "SM" series battery charger. Please refer to the specification sheet for dimensional details.

The charger is designed to automatically switch to match 115vac or 230vac incoming power and 50Hz or 60Hz frequency.

The easy to read display shows charging status of Boost, Equalization or Absorption and Float modes. The display will also show fault status of high temperature fault, battery fuse fault and output voltage fault.

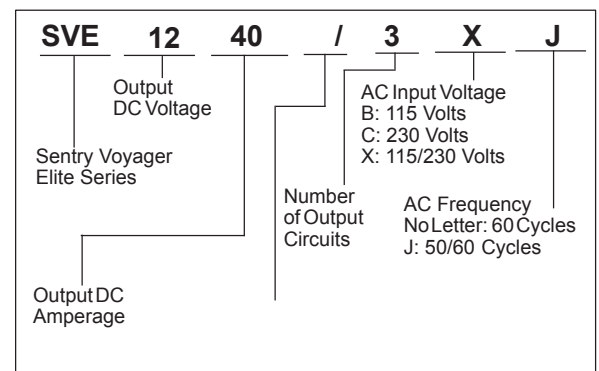
All Sentry Voyager Elite chargers come with a 2 year parts warranty from date of manufacture.

TECHNICAL SPECIFICATIONS

Model	SVE1270/3XJ	SVE1290/3XJ	SVE2440/3XJ	SVE2460/3XJ	SVE2480/3CJ	SVE24100/3CJ	SVE24150/3CJ
DC Output Voltage	12V	12V	24V	24V	24V	24V	24V
DC Output Current	70 A	90 A	40 A	60 A	80 A	100 A	150A
Charging Curves	**9	**9	**9	**9	**9	**9	**9
# Output Banks	3	3	3	3	3	3	3
AC Input Voltage	*115/230	*115/230	115/230	115/230	230 VAC	230 VAC	230VAC
AC Input Current	13A/6A	16A/7A	14A/6 A	15A/9A	15A	17A	20A
Input Frequency	50/60 Hz	50/60 Hz	50/60 Hz	50/60 Hz	50/60 Hz	50/60 Hz	50/60 Hz
Height in / mm	14.1/358	14.1/358	14.1/358	14.1/358	14.1/358	14.1/358	14.1/358
Width in / mm	13.6/346	13.6/346	13.6/346	13.6/346	13.6/346	13.6/346	13.6/346
Depth in / mm	5/128	5/128	5/128	5/128	5/128	7.7/196	7.7/196
Weight lb / kg	13.2/6	13.2/6	13.2/6	13.2/6	13.2/6	25.4/11.5	25.4/11.5
DC Output Fuse	4x30A	4x30A	3x25A	3x25A	5x25A	5x25A	6x25A
AC Input Fuse	20A	20A	20A	20A	20A	2x20A	2x20A
CE Approved	Yes	Yes	Yes	Yes	Yes	Yes	Yes
Ventilation	Fan	Fan	Fan	Fan	Fan	Fan	Fan
Battery Isolation	Yes	Yes	Yes	Yes	Yes	Yes	Yes
LED Charge status	Yes	Yes	Yes	Yes	Yes	Yes	Yes
LED Fault indicator	Yes	Yes	Yes	Yes	Yes	Yes	Yes
CAN BUS	Yes	Yes	Yes	Yes	Yes	Yes	Yes
Warranty Parts	2	2	2	2	2	2	2

****NOTE:** 9 Charging Curves: Open Flooded Lead-Acid, Sealed Lead-Acid, Lead Calcium, Calcium Calcium, (AGM, Gel), Spiral cell, Lithium LiFeSo4, Storage Open Lead-Acid and Storage Sealed Lead-Acid

INTERPRETING MODEL NUMBERS



Marine Battery Chargers
 Linear Devices Corp.
 11126 Air Park Road, Suite G
 Ashland, VA 23005
 Ph: 804-368-8428, Fax: 804-368-8438
 Toll Free 1-888-532-8768
 Email: sales@sentrychargers.com
sentrychargers.com



SV1260/3XJ, SV1215/3CJ and SV2420/3XJ Models Shown

FEATURES

- Selectable charging outputs for Lead-Acid, AGM, Gel, Lead Calcium, Spiralcell or Lithium-ion (LiFeS04)
- Automatically switches to 115vac or 230vac and 50Hz or 60Hz power
- Three isolated bank charging outputs
- Lightweight and compact size
- “Night Mode” button for silent operation
- AC and DC fuse protection
- Automatic weekly equalization
- Conformal coated PC Board for corrosion protection
- Direct replacement for Sentry “SM” series chargers
- LED charge mode and fault status indicator
- Two year parts warranty

The line of Sentry Voyager marine battery chargers are light weight, compact and easy to install. Its circuit board is conformal coated for added protection from the harsh marine environment.

Sentry Voyager battery chargers are designed with dip switches to select the correct battery charging curve. Battery charge selections are Lead-Acid, AGM, Gel, Lead Calcium, Spiralcell or Lithium-ion (LiFeS04). Each charger will charge three independent and isolated battery banks.

The Voyager series charger is a direct replacement for the Sentry “SM” series battery charger. Please refer to the specification sheet for dimensional details.

The charger is designed to automatically switch to match 115vac or 230vac incoming power and 50Hz or 60Hz frequency.

Equipped with an LED indicator, Voyager chargers display charging status of Boost, Equalization and float modes. The LED indicator will also show fault status of high temperature fault, battery fuse fault and output voltage fault.

All Sentry Voyager chargers come with a 2 year parts warranty from date of manufacture.

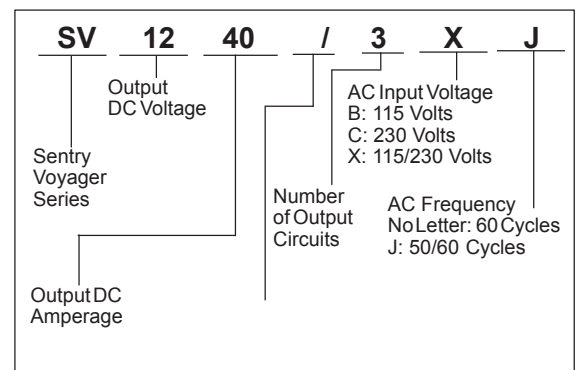
TECHNICAL SPECIFICATIONS

Model	SV1210/3CJ	SV1215/3CJ	SV1225/3XJ	SV1240/3XJ	SV1260/3XJ	SV2420/3XJ
DC Output Voltage	12V	12V	12V	12V	12V	24V
DC Output Current	10 A	15 A	25 A	40 A	60 A	20 A
Charging Curves	**4	**4	**4	**4	**4	**4
# Output Banks	3	3	3	3	3	3
AC Input Voltage	*230 VAC	*230 VAC	115/230 VAC	115/230	115/230 VAC	115/230
AC Input Current	1.3 A	1.9 A	4/2 A	7/3.5 A	12/6 A	7/3.5 A
Input Frequency	50/60 Hz	50/60 Hz	50/60 Hz	50/60 Hz	50/60 Hz	50/60 Hz
Height in / mm	9.4 / 238	9.4 / 238	13.9 / 354	13.9 / 354	4.2 / 107	13.9 / 354
Width in / mm	4.7 / 120	4.7 / 120	4.7 / 120	4.7 / 120	9.4 / 240	4.7 / 120
Depth in / mm	3.79 / 96	3.79 / 96	3.79 / 96	3.79 / 96	10.79 / 274	3.79 / 96
Weight lb / kg	2 / 1.3	2 / 1.3	4 / 1.9	4 / 1.9	6 / 3	4 / 1.9
DC Output Fuse	15A	20A	2x15A	2x25A	3x25A	2x15A
AC Input Fuse	2A	3A	6A	10A	16A	10A
CE Approved	Yes	Yes	Yes	Yes	Yes	Yes
Ventilation	Convection	Convection	Fan	Fan	Fan	Fan
Battery Isolation	Yes	Yes	Yes	Yes	Yes	Yes
LED Charge status	Yes	Yes	Yes	Yes	Yes	Yes
LED Fault indicator	Yes	Yes	Yes	Yes	Yes	Yes
Quiet Night Mode	Yes	Yes	Yes	Yes	Yes	Yes
CAN BUS	No	No	No	No	Yes	No
Warranty Parts	2	2	2	2	2	2

*NOTE: Contact Sentry for 115vac models

**NOTE: 4 Charging Curves: Flooded Lead-Acid, (AGM, Gel, Sprial), Lead Calcium and Lithium LiFeS04

INTERPRETING MODEL NUMBERS



Marine Battery Chargers
 Linear Devices Corp.
 11126 Air Park Road, Suite G
 Ashland, VA 23005
 Ph: 804-368-8428, Fax: 804-368-8438
 Toll Free 1-888-532-8768
 Email: sales@sentrychargers.com
sentrychargers.com